

ROLL OVER PROTECTION SYSTEM CERTIFICATE

(Please complete in BLOCK CAPITALS)

MANUFACTURERS DETAILS

MANUFACTURER: **OMP Racing s.r.l.**

ADDRESS: Via E. Bazzano, 5
16019 Ronco Scrivia (GE)
ITALY

TEL. NO: 0039 010 9650 FAX NO: 0039 010 935378

E-MAIL: omp.info@ompracing.it

SYSTEM DETAILS

	Main rollbar	Longitudinal strut	Diagonal strut	Front rollbar
Material	25CrMo4	25CrMo4	25CrMo4	25CrMo4
External diameter	40 mm	40 mm	35 mm	40 mm
Wall thickness	2 mm	2 mm	1.5 mm	2 mm
Elastic limit	55.3 daN/mm ²	55.3 daN/mm ²	52.4 daN/mm ²	55.3 daN/mm ²
Tensile strength	73.6 daN/mm ²	73.6 daN/mm ²	89.4 daN/mm ²	73.6 daN/mm ²

CAR/S FOR WHICH ROPS IS DESIGNED

MAKE: Citroen FIA HOMOLOGATION NO(s): N/A 5672

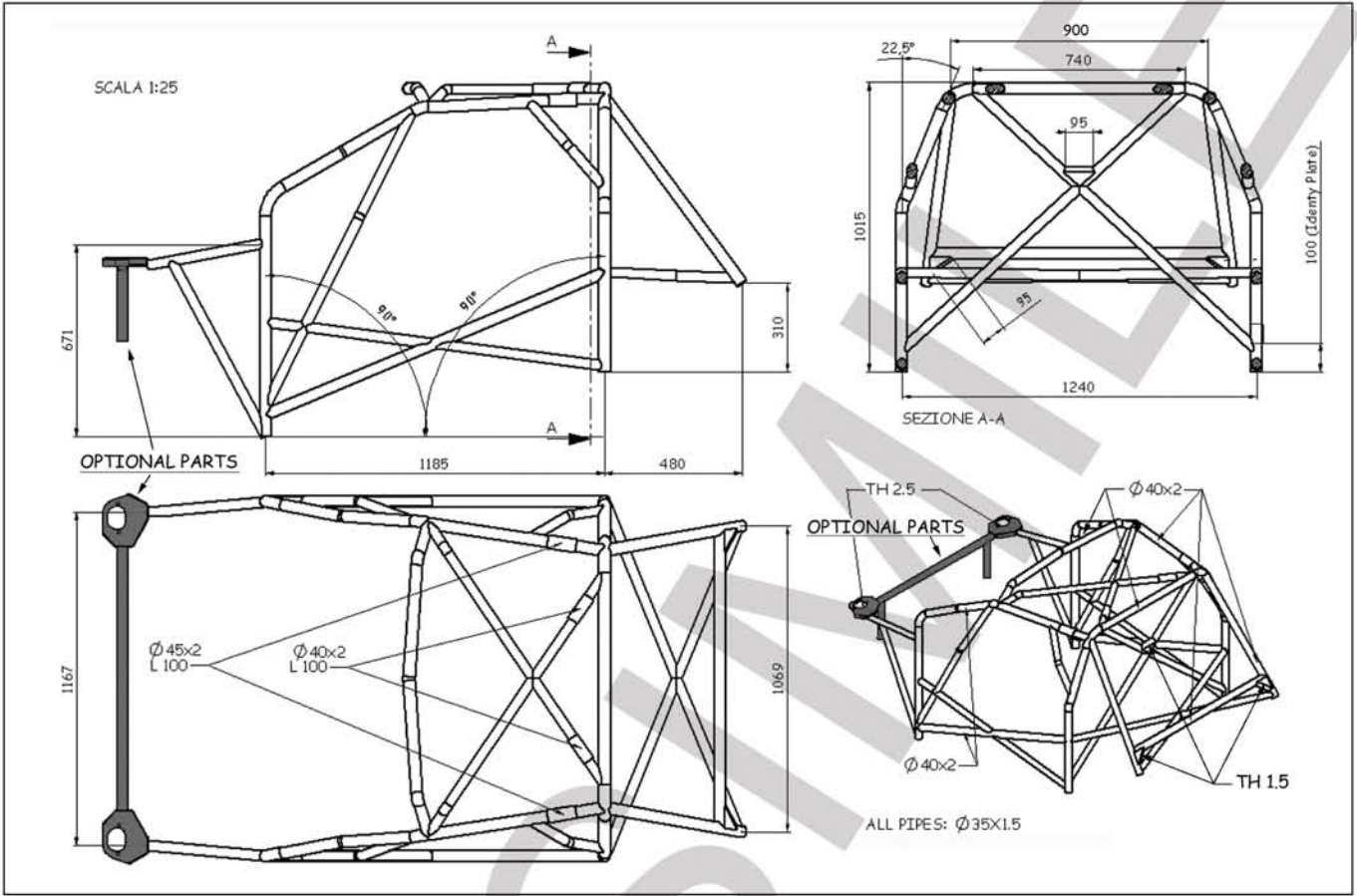
MODEL(s): C 2

CAR WEIGHT: 1100 (kg)

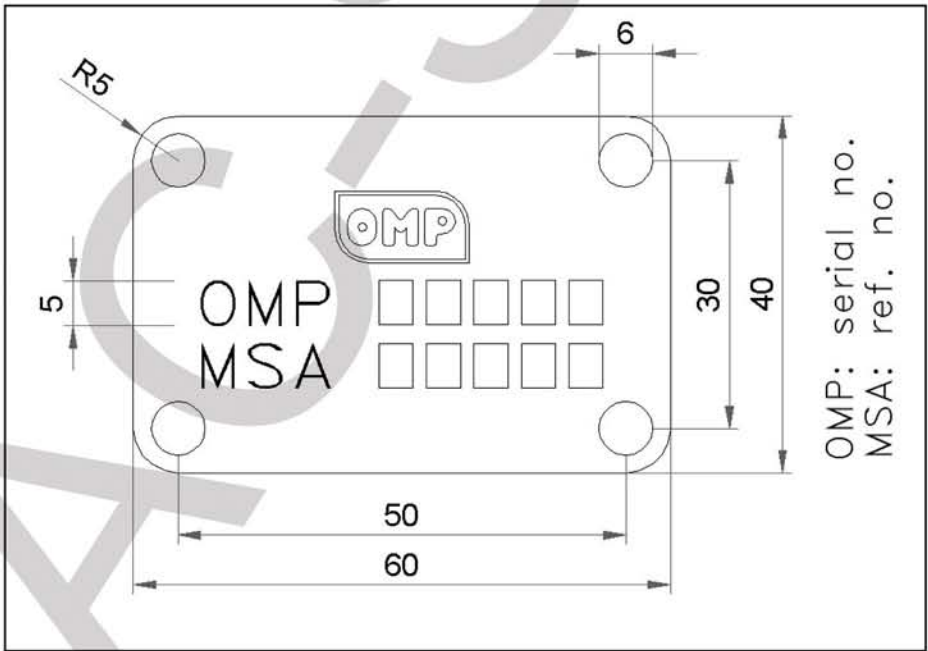
THIS CERTIFICATE BECOMES INVALID IF THE STRUCTURE IS MODIFIED IN ANY WAY FROM THE DESIGN SHOWN HEREIN

THIS CERTIFICATE IS ONLY VALID IF FULLY COMPLETED, APPROVED BY THE MSA AND PRINTED ON MSA SECURITY PAPER

MSA REF. NO:

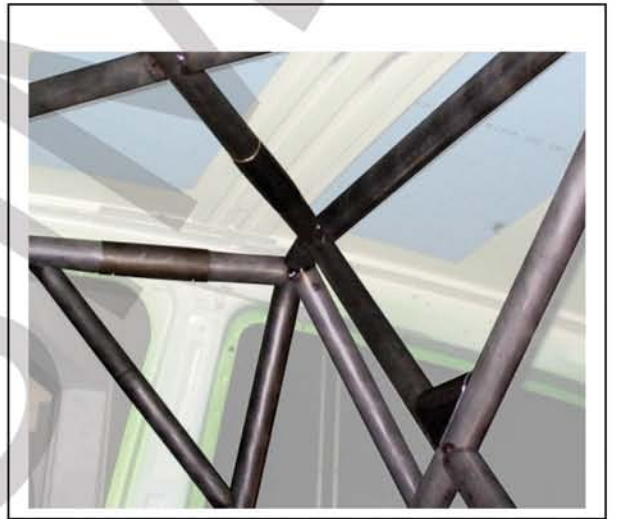
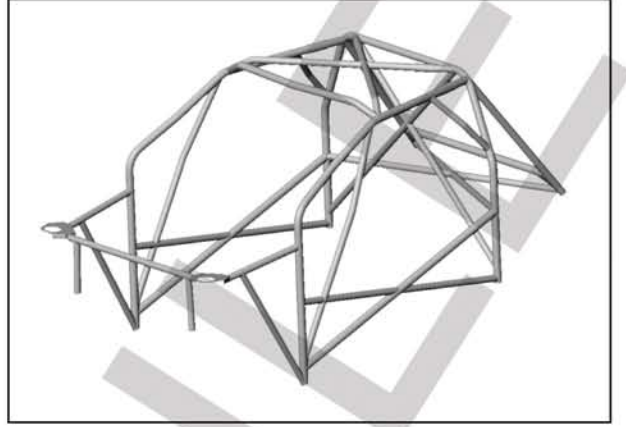


DRAWING OF ROLL OVER PROTECTION SYSTEM

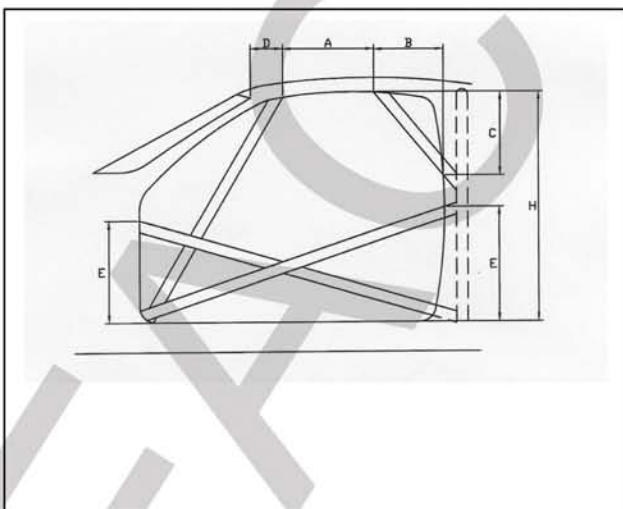


PHOTOGRAPH OR DRAWING OF IDENTITY PLATE

MSA REF. NO:



MSA REF. NO:



Door Aperture Reinforcements-Dimensions.

Dimension (Please insert where applicable)

A = 410 (min 300mm)

B = 170 (max 250mm)

C = 170 (max 300mm)

D = 4 (max 100mm)

E = 300 (max 1/2 height H)

Additional Information Page

Reason for Amendment: Appendix J drawing 253-17 D



H = 1000

Roll bar without optional parts

Roll bar with optional parts



Additional information:
The mounting of the rollcage must be entirely MIG welded to the body

Date:

MSA Signature & Stamp:

msarops

MSA REF. NO:

□□□□□□

Addendum page for ROPS supplied in kit form

A. Certificate by kit supplier

I/we certify that the kit supplied by:

OMP Racing s.r.l. (company name) is:

- ~~a. Designed to meet FIA/MSA requirements, or~~
- b. Designed to meet the specification of the customer who accepts responsibility for compliance with FIA/MSA requirements.
(delete as appropriate)

O.M.P. RACING s.r.l.
 Via E. Bazzano, n. 5
 16019 RONCO SCRIVIA (Genova)
 Partita I.V.A.: 0 2 2 6 4 7 6 0 1 0 5

Signature: Name:

Address: Via E. Bazzano ,5 16019 Ronco Scrivia (GE) Italy

Tel No: 0039 010 9650... Fax No: 0039 010 935378...

E-mail: omp.info@ompracing.it

B. Certificate by Installer

I/we certify that we have read the requirements of the FIA/MSA in regard of ROPS installation requirements and that the supplied kit will be installed in accordance with these regulations and any other instructions provided by the kit manufacturer.

Company name:

Signature: Name:

Address:

Tel No: Fax No:

E-mail: